

Description

Used for regulating the air flow. Can be set to the wanted position, then locked with a wing nut.

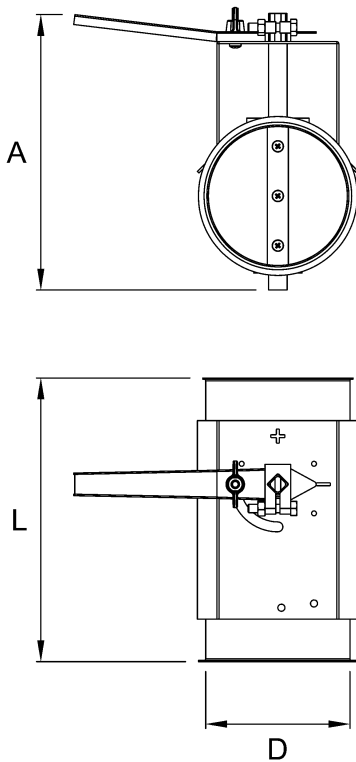
Beadings on ends of the piece allow for assembly with fitting rings. Alternatively, loose flanges can be used for assembly.

Specifications

Material: Galvanized steel

Surface: Z275

Steel gauge (t): See table



D (mm)	Part no.	A (mm)	L (mm)	t (mm)	Weight (kg)
80	01530080	147	200	0.75	0.9
100	01530100	186	200	0.75	1.1
120	01530120	210	200	0.75	1.3
125	01530125	216	205	0.75	1.3
140	01530140	234	220	0.75	1.5
150	01530150	246	230	0.75	1.6
160	01530160	258	240	0.75	1.7
180	01530180	277	260	0.75	2.0
200	01530200	299	280	0.75	2.3
225	01530225	326	305	0.75	2.7
250	01530250	352	330	0.75	3.2
275	01530275	376	355	0.75	3.6
300	01530300	402	380	0.75	4.1
315	01530315	417	395	0.75	4.5
350	01530350	453	430	0.75	5.3
400	01530400	504	480	0.90	7.6
450	01530450	555	530	0.90	9.3
500	01530500	606	580	0.90	11.2